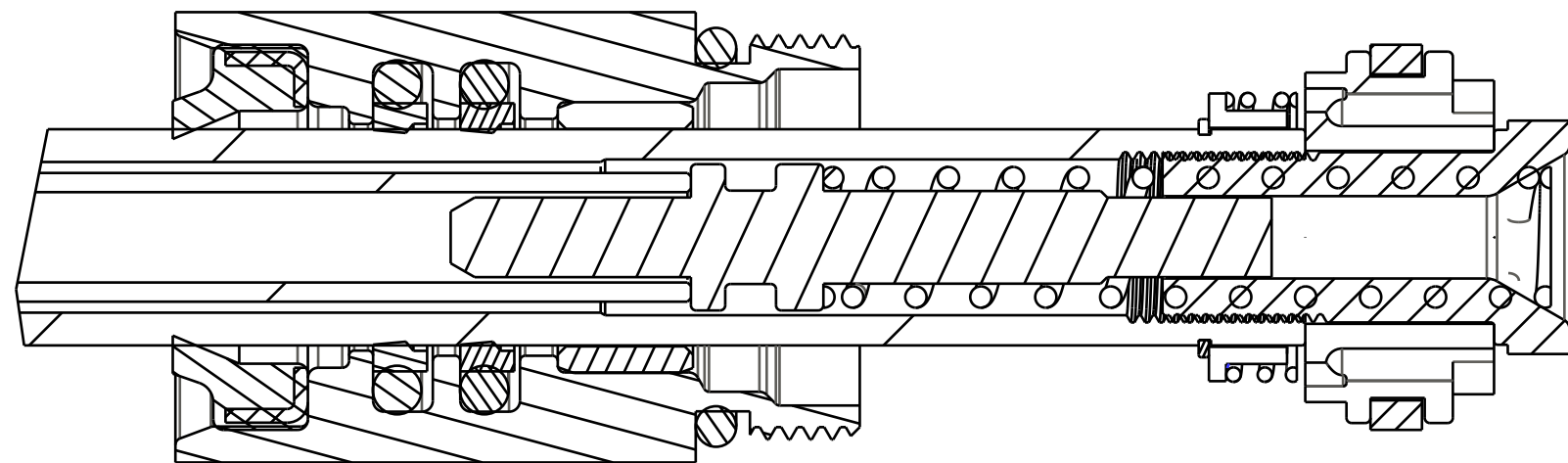


4

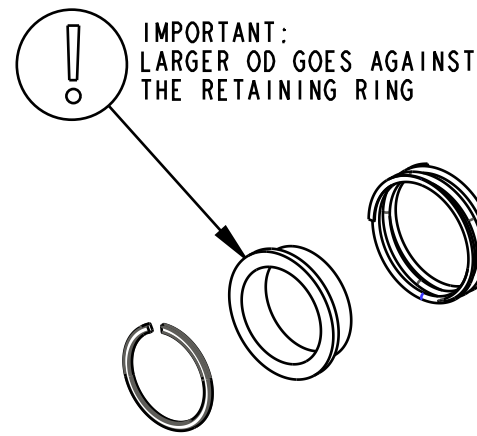
3

2

1



DETAIL B



DETAIL A

IMPORTANT:
LARGER OD GOES AGAINST
THE RETAINING RING

820-03-429-KIT

2014 FIT 831 Main Piston Assy

039-00-145

Spring: [0.214 TLG X 0.379 ID X 3.5 lb/in] Stainless Steel

210-22-772

Damping Adjust Part: Check Limiter and Spring Perch, 0.35mm Lift

039-00-326

Spring: Rebound Needle, Stiff, FIT CTD



TORQUE:
55 IN.LB.

SEE DETAIL A

038-00-032

Retaining Ring: Smalley VSM-8

210-22-441
Needle, Rebound, Smaller ID Damper Shaft, 010 RL-RLC

207-22-006

Damper Shaft, 8mm, 2013 34 CTD 26in, F/P

820-03-185-KIT

011 36 FIT RLC 160 Rebound Adjuster Assy

204-74-020

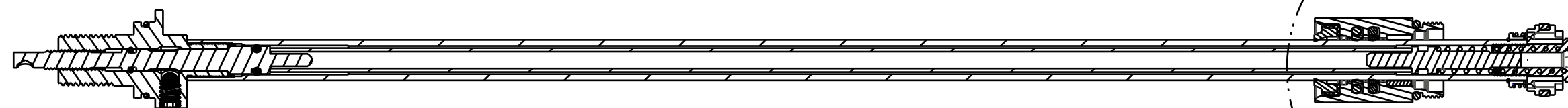
Rebound Tube: (T) Machined, 2013 34 26in CTD, F/P

820-03-231-KIT

Sealhead Assy, 2010-2012 FIT RL-RLC-Remote

TORQUE:
55 IN.LB.

SEE DETAIL B



SECTION A-A

FOX **FOX Factory, Inc.** Ph 831-768-1100
130 Hangar Way, Watsonville, CA 95076 USA Fax 831-768-9312

TITLE
**2014 34 831 FIT CTD
Damper Shaft Assy**

SIZE DWG. NO.
C 820-03-430-KIT

PLOT SCALE | .00:1 | SHEET 1 OF 1

PROPRIETARY
THIS DOCUMENT CONTAINS CONFIDENTIAL, PROPRIETARY INFORMATION
THAT IS FOX PROPERTY. DO NOT DISCLOSE TO OR DUPLICATE
FOR OTHERS EXCEPT AS AUTHORIZED BY FOX.

4

3

2

ProE ASSEM